

CREOSOTED POLE OR TREATED TIMBER (~~4" X 4"~~ <sup>6" X 6"</sup> MINIMUM SIZE), OR 6" GALVANIZED CHANNEL IRON TO BE FURNISHED AND INSTALLED BY THE CUSTOMER. MINIMUM SETTING DEPTH 24 INCHES. LOCATE POLE IMMEDIATELY ADJACENT TO SECONDARY CABLE MARKER.

METER TROUGH, SINGLE PHASE 200 AMPERE, FURNISHED BY ALABAMA POWER AND INSTALLED BY CUSTOMER.

CUSTOMER TO SUPPLY AND INSTALL MAIN SWITCH, OVER CURRENT PROTECTION AND WIRING DEVICES IN A WEATHERPROOF ENCLOSURE WITH WEATHERPROOF COVERS. SEE THE LOCAL AUTHORITIES FOR ANY REQUIREMENTS BEYOND THESE LISTED.

CONDUIT STRAPS SPACED AT A MAXIMUM DISTANCE OF 24 INCHES APART TO BE FURNISHED AND INSTALLED BY CUSTOMER.

CONDUIT TO BE 2 INCH MINIMUM I.D. PVC SCHEDULE 40 OR RIGID GALVANIZED WITH BUSHING TO BE FURNISHED AND INSTALLED BY THE CUSTOMER.

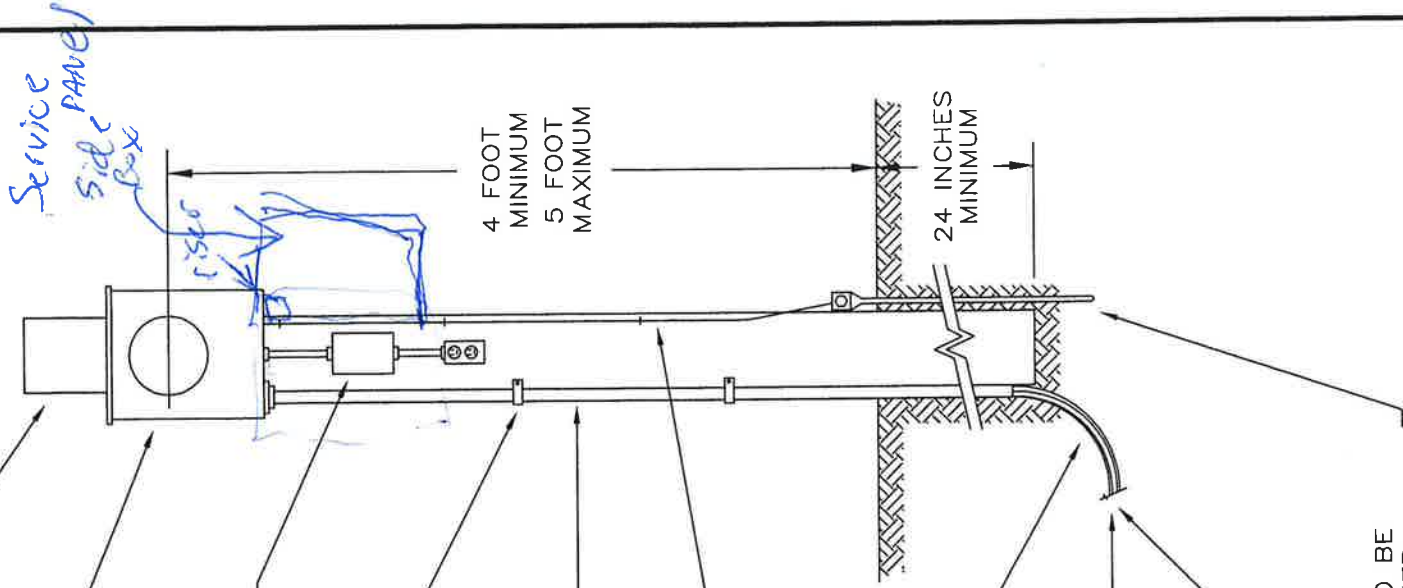
GROUND CONDUCTOR TO CONFORM TO NEC, EXCEPT THAT # 6 CU. SHALL BE THE MINIMUM SIZE TO BE FURNISHED AND INSTALLED BY CUSTOMER.

CONDUCTOR TO BE FURNISHED AND INSTALLED BY THE CUSTOMER

UNDERGROUND SERVICE CABLE FROM PAD-MOUNTED TRANSFORMER

ALABAMA POWER TO MAKE SERVICE CONNECTION

GROUND ROD TO CONFORM TO NEC, TO BE FURNISHED AND INSTALLED BY CUSTOMER.



Date 08/12/05

DESCRIPTION Temporary Service Installation  
from Underground Secondary at Cable Marker

**ALABAMA POWER**  
A SOUTHERN COMPANY

A-R-03-1

R-03

**TYPICAL METERING INSTALLATION FOR UNDERGROUND SERVICE TO MOBILE HOMES**

PRESSURE TREATED POLE OR PRESSURE TREATED TIMBER (6" x 6" MINIMUM SIZE) TO BE FURNISHED AND INSTALLED BY CUSTOMER. (SEE NOTE 3)

METER TROUGH, SINGLE PHASE, 200 AMPERE, COMMODITY # 27-82696 FURNISHED BY ALABAMA POWER AND INSTALLED BY CUSTOMER.

TREATED LUMBER BACK BOARD TO BE FURNISHED AND INSTALLED BY CUSTOMER.

WEATHERPROOF SERVICE PANEL AND/OR MAIN DISCONNECT TO BE FURNISHED AND INSTALLED BY CUSTOMER.

RIGID CONDUIT WITH BUSHINGS TO BE FURNISHED AND INSTALLED BY CUSTOMER.

CONDUIT TO BE 2 INCH GALVANIZED STEEL OR PVC SCHEDULE 40 WITH BUSHING FOR 200 AMPERE SINGLE PHASE SERVICE LATERAL RISER TO BE FURNISHED AND INSTALLED BY CUSTOMER. FOR OTHER SERVICE LATERAL SIZES SEE TABLE I, PLATE UN-5.

CONDUIT STRAPS SPACED A MAXIMUM OF 24 INCHES APART TO BE FURNISHED AND INSTALLED BY CUSTOMER.

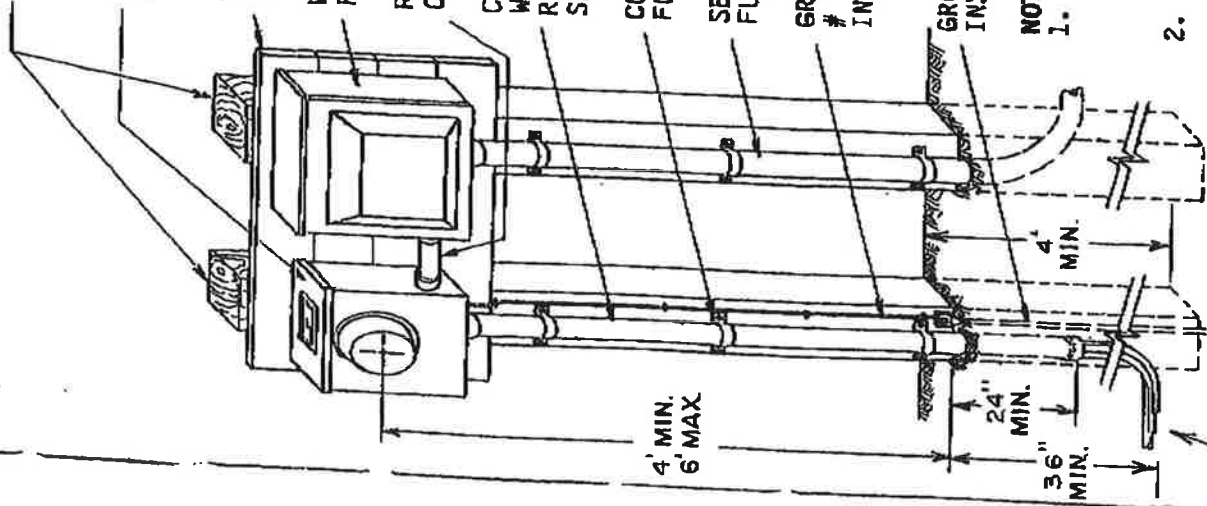
SERVICE ENTRANCE CONDUCTORS AND CONDUIT TO MOBILE HOME TO BE FURNISHED AND INSTALLED BY CUSTOMER.

GROUND CONDUCTOR TO CONFORM TO NEC 250-J EXCEPT THAT # 4 CU. SHALL BE THE MINIMUM SIZE TO BE FURNISHED AND INSTALLED BY CUSTOMER.

GROUND ROD TO CONFORM TO NEC 250-H TO BE FURNISHED AND INSTALLED BY CUSTOMER.

**NOTES:**

1. NAILS ARE NOT TO BE USED FOR MOUNTING METER SOCKET, SERVICE PANEL OR OTHER SUPPORTING HARDWARE. SCREWS OR BOLTS SHALL BE USED FOR FABRICATION OF THE SUPPORTING STRUCTURE.
2. SERVICE LATERAL CONDUCTORS TO BE FURNISHED AND INSTALLED BY ALABAMA POWER.
3. LOCATION OF POLE AND SERVICE LATERAL TO BE SELECTED BY ALABAMA POWER REPRESENTATIVE. OTHER APPROVED MOUNTING STRUCTURES SUCH AS STEEL OR CONCRETE POST, BRICK COLUMNS, ETC., MAY BE USED IN PLACE OF WOOD POLES OR TIMBERS.



Eng. GBS	NO.	REVISION	ALABAMA POWER COMPANY
Dr. G. MUSE	DATE		
Ck. GBS			SUBJECT UNDERGROUND DISTRIBUTION
<i>Tha's Rem</i>			SERVICES - MOBILE HOMES NOT IN MOBILE DETAIL HOME PARK
APP. <i>WADSWORTH</i>	SUPERSEDES		
Date 1-2-56	DATED		
	SHEET 2 OF 2	SHEETS	A-36854B

PLATE UN-10

PLATE UN-10